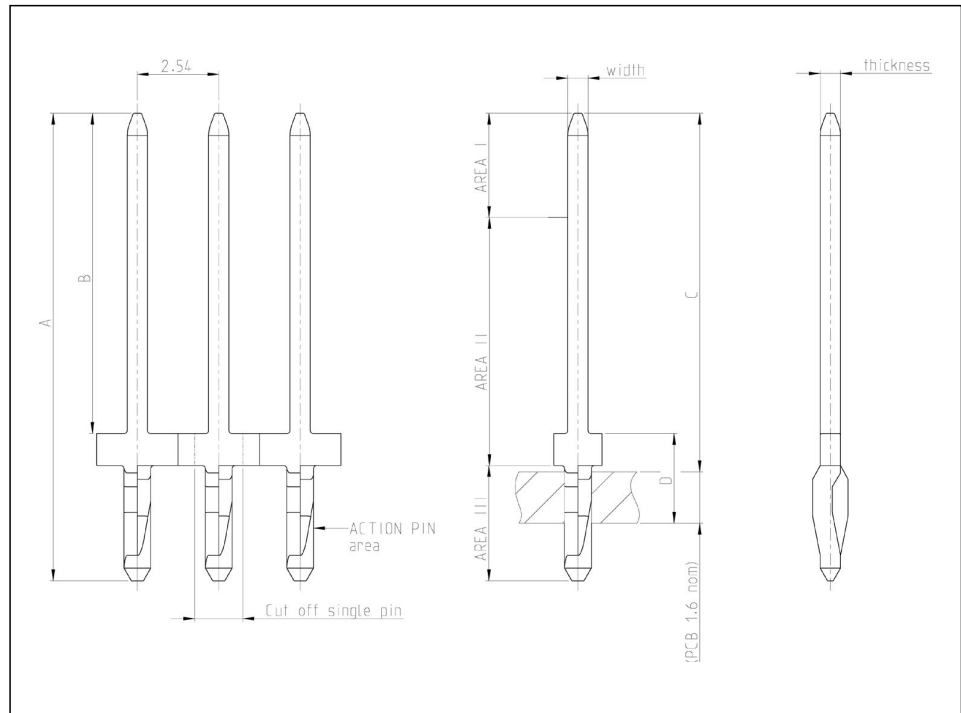


Technical Features

- Press-fit zone**
ACTION PIN
- Material thickness**
0.6 mm
- Total Temperature Range**
-40°C ... +125°C
- Insertion Force**
Max 180 N
- Push-out Force**
Min 50 N
- Current Carrying Capacity**
up to 5 Ampere
(@ 80 °C ambient temperature)

ACTION PIN Press-Fit Pin for MQS and TH Contacts



Product Drawing
963964 / 929278 / 929958 /
2278076 / 1801209

Product Requirements
IEC 60352-5 / TE 108-18643 /
TE 108-18002

Product Specification
108-18643 / 108-18002

ACTION PIN Press-Fit Pin for MQS and TH Contacts (continued on page 6)

Dimensions Area I, Contact Tab Area (mm) Width x Thickness	Dimensions (mm)				Nominal PCB Hole Diameter (mm)	Material	Finish Area I, Contact Tab Area	Finish Area III, Press-Fit Area	Part Number	Mating Receptacle Contact	Product Specification	Conversion Kit for P100/P300/P350 *)
	A	B	C	D								
0.63 x 0.63	11.65	7.05	8.25	2.80	1.0	CuNiSi	Au	Sn	1-963964-3	5-928999-5 5-963715-5	108-18643	3-*410-0
0.63 x 0.63	11.65	7.05	8.25	2.80	1.0	CuNiSi	Sn	Sn	2-963964-3	5-928999-1 5-963715-1	108-18643	3-*410-0
0.63 x 0.63	13.40	8.80	10.00	2.80	1.0	CuNiSi	Au	Sn	1-963964-4	5-928999-5 5-963715-5	108-18643	3-*410-0
0.63 x 0.63	13.40	8.80	10.00	2.80	1.0	CuNiSi	Sn	Sn	2-963964-4	5-928999-1 5-963715-1	108-18643	3-*410-0
0.63 x 0.63	14.70	10.10	11.30	2.80	1.0	CuNiSi	Sn	Sn	2-963964-7	5-928999-1 5-963715-1	108-18643	3-*410-0
0.63 x 0.63	14.70	10.10	11.30	2.80	1.0	CuNiSi	Au	Sn	3-963964-7	5-928999-5 5-963715-5	108-18643	3-*410-0
0.63 x 0.63	12.80	8.20	9.40	2.80	1.0	CuNiSi	Sn	Sn	2-963964-8	5-928999-1 5-963715-1	108-18643	3-*410-0
0.63 x 0.63	15.00	10.40	11.60	2.80	1.0	CuNiSi	Sn	Sn	6-963964-5	5-928999-1 5-963715-1	108-18643	3-*410-0
0.63 x 0.63	24.90	20.30	21.50	2.80	1.0	CuNiSi	Sn	Sn	7-963964-9	5-928999-1 5-963715-1	108-18643	3-*410-0
0.63 x 0.63	13.90	9.30	10.60	2.90	1.0	CuNiSi	Sn	Sn	1-929278-2	5-928999-1 5-963715-1	108-18643	3-*410-0

*) For dash numbers please contact TE Application Tooling

ACTION PIN Press-Fit Pin for MQS and TH Contacts (continued from page 5)

Dimensions Area I, Contact Tab Area (mm) Width x Thickness	Dimensions (mm)				Nominal PCB Hole Diameter (mm)	Material	Finish Area I, Contact Tab Area	Finish Area III, Press-Fit Area	Part Number	Mating Receptacle Contact	Product Specification	Conversion Kit for P100/P300/P350 *)
	A	B	C	D								
0.63 x 0.63	11.45	7.05	8.25	3.00	0.9	CuSn	Au	Sn	1-929958-1	5-928999-5 5-963715-5	108-18002	3-*410-0
0.63 x 0.63	11.45	7.05	8.25	3.00	0.9	CuSn	Sn	Sn	2-929958-1	5-928999-1 5-963715-1	108-18002	3-*410-0
0.63 x 0.63	13.20	8.80	10.00	3.00	0.9	CuSn	Sn	Sn	1-929958-2	5-928999-5 5-963715-5	108-18002	3-*410-0
0.63 x 0.63	13.20	8.80	10.00	3.00	0.9	CuSn	Sn	Sn	2-929958-2	5-928999-1 5-963715-1	108-18002	3-*410-0
0.63 x 0.63	17.90	13.30	14.50	2.80	1.0	CuNiSi	Sn	Sn	2278076-2	5-928999-1 5-963715-1	108-18643	3-*410-0
0.64 x 0.64	12.80	8.20	9.40	2.80	1.0	CuNiSi	Sn	Sn	1801209-1	2005097-1 1123343-1	108-18643	3-*410-0

*) For dash numbers please contact TE Application Tooling